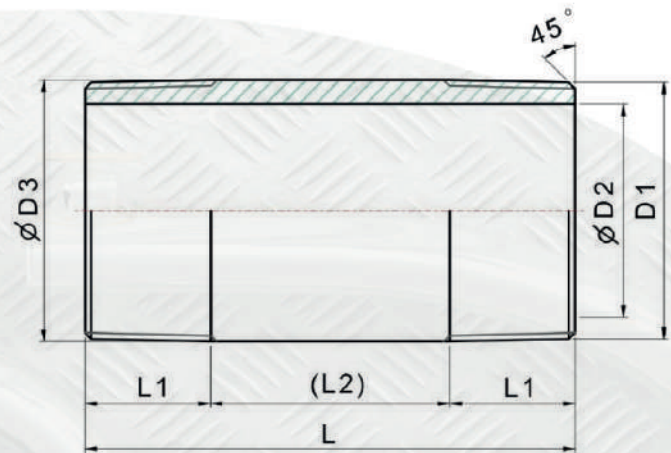




NIPPLES WELDED & SEAMLESS ASTM A-733



DESIGN FEATURES:

- 🔴 THREAD: NPT
- 🔴 STOCK SCH40 & SCH80
- 🔴 T.O.E. odd length and other schedule nipple can be made upon request.

STAINLESS STEEL NIPPLE TYPE A/SA312 NIPPLE

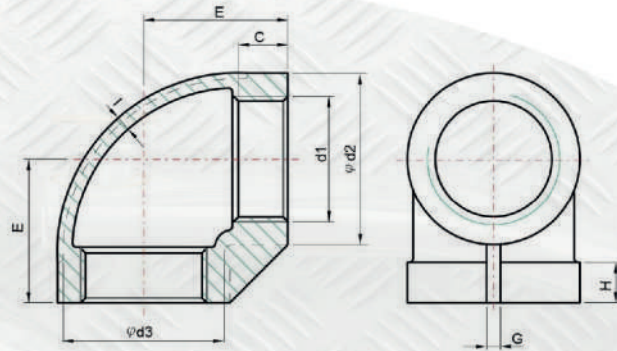
DIA. (INCH)	LENGTH (INCH)																	
	CLOSE	1.5"	2"	2.5"	3"	3.5"	4"	4.5"	5"	5.5"	6"	7"	8"	9"	10"	11"	12"	
1/8"	X	X	X	X	X	X	X	X	X	X	X	X	X	X	X	X	X	X
1/4"	X	X	X	X	X	X	X	X	X	X	X	X	X	X	X	X	X	X
3/8"	X	X	X	X	X	X	X	X	X	X	X	X	X	X	X	X	X	X
1/2"	X	X	X	X	X	X	X	X	X	X	X	X	X	X	X	X	X	X
3/4"	X	X	X	X	X	X	X	X	X	X	X	X	X	X	X	X	X	X
1"	X		X	X	X	X	X	X	X	X	X	X	X	X	X	X	X	X
1 1/4"	X		X	X	X	X	X	X	X	X	X	X	X	X	X	X	X	X
1 1/2"	X		X	X	X	X	X	X	X	X	X	X	X	X	X	X	X	X
2"	X		X	X	X	X	X	X	X	X	X	X	X	X	X	X	X	X
2 1/2"	X				X	X	X	X	X	X	X	X	X	X	X	X	X	X
3"	X				X	X	X	X	X	X	X	X	X	X	X	X	X	X
4"	X					X	X	X	X	X	X	X	X	X	X	X	X	X

x-stocking size



FITTINGS CAST CLASS 150

90° ELBOWS THREADED



DESIGN FEATURES:

- 🔧 THREAD: NPT
- 🔧 CF8 (304) & CF8M (316)

DIMENSIONS

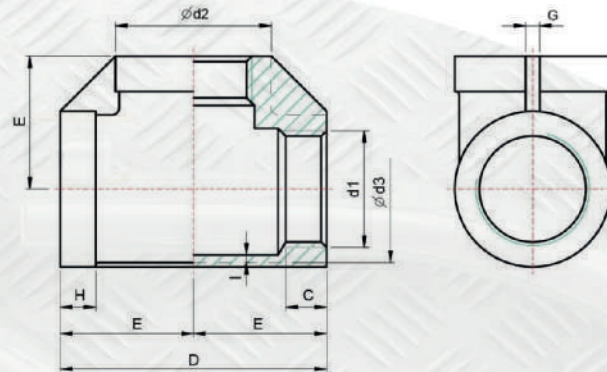
unit : inch

SIZE	d1	d2	d3	C	E	G	H	I
1/8"	1/8"	0.63	0.53	0.24	0.67	0.14	0.24	0.08
1/4"	1/4"	0.75	0.61	0.37	0.77	0.16	0.24	0.08
3/8"	3/8"	0.89	0.77	0.38	0.94	0.16	0.31	0.10
1/2"	1/2"	1.10	1.02	0.39	1.14	0.12	0.30	0.08
3/4"	3/4"	1.34	1.24	0.41	1.26	0.12	0.35	0.08
1"	1"	1.69	1.61	0.55	1.46	0.16	0.39	0.10
1 1/4"	1 1/4"	2.01	1.89	0.63	1.71	0.20	0.43	0.10
1 1/2"	1 1/2"	2.32	2.22	0.61	1.89	0.20	0.47	0.10
2"	2"	2.83	2.68	0.71	2.19	0.22	0.51	0.10
2 1/2"	2 1/2"	3.54	3.39	0.87	2.64	0.35	0.55	0.12
3"	3"	4.17	4.02	0.94	3.03	0.39	0.59	0.14
4"	4"	5.20	5.00	1.02	3.78	0.33	0.65	0.14



FITTINGS CAST CLASS 150

TEE THREADED



DESIGN FEATURES:

- THREAD: NPT
- CF8 (304) & CF8M (316)

DIMENSIONS

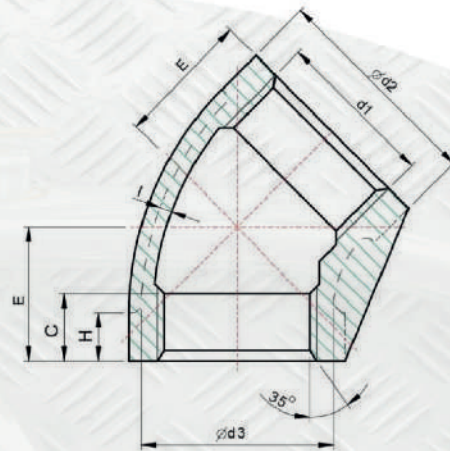
unit : inch

SIZE	d1	d2	d3	C	D	E	G	H	I
1/8"	1/8"	0.63	0.53	0.24	1.42	0.71	0.12	0.24	0.10
1/4"	1/4"	0.75	0.61	0.37	1.04	0.77	0.12	0.24	0.08
3/8"	3/8"	0.89	0.77	0.38	1.85	0.93	0.12	0.26	0.10
1/2"	1/2"	1.10	1.02	0.39	2.28	1.14	0.12	0.30	0.08
3/4"	3/4"	1.34	1.24	0.39	2.56	1.28	0.12	0.33	0.08
1"	1"	1.69	1.57	0.51	2.91	1.46	0.16	0.37	0.08
1 1/4"	1 1/4"	2.01	1.89	0.65	3.50	1.75	0.20	0.41	0.08
1 1/2"	1 1/2"	2.32	2.22	0.63	3.82	1.91	0.20	0.45	0.10
2"	2"	2.83	2.68	0.71	4.45	2.22	0.24	0.47	0.10
2 1/2"	2 1/2"	3.54	3.39	0.91	5.35	2.68	0.35	0.57	0.16
3"	3"	4.17	4.00	0.96	6.18	3.09	0.39	0.59	0.16
4"	4"	5.20	5.00	1.02	7.68	3.84	0.35	0.61	0.16



FITTINGS CAST CLASS 150

45° ELBOWS THREADED



DESIGN FEATURES:

- THREAD: NPT
- CF8 (304) & CF8M (316)

DIMENSIONS

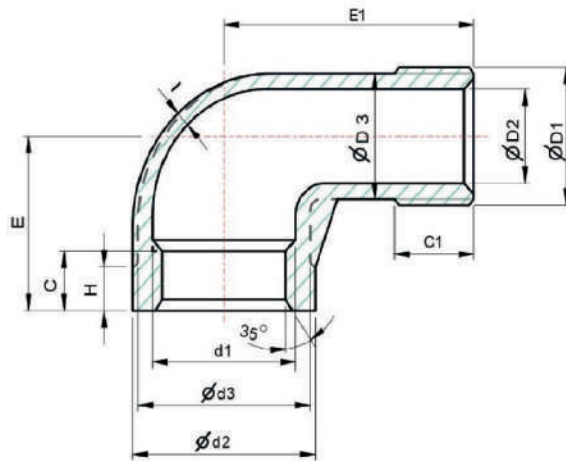
unit : inch

SIZE	d1	d2	d3	C	E	H	I
1/8"	1/8"	0.63	0.53	0.28	0.63	0.24	0.08
1/4"	1/4"	0.75	0.61	0.37	0.67	0.26	0.08
3/8"	3/8"	0.89	0.77	0.38	0.75	0.24	0.08
1/2"	1/2"	1.18	1.10	0.39	0.83	0.31	0.10
3/4"	3/4"	1.42	1.34	0.43	0.94	0.39	0.10
1"	1"	1.77	1.57	0.55	1.10	0.39	0.10
1 1/4"	1 1/4"	2.22	1.91	0.61	1.30	0.43	0.10
1 1/2"	1 1/2"	2.30	2.20	0.61	1.42	0.49	0.10
2"	2"	2.83	2.68	0.65	1.65	0.51	0.10
2 1/2"	2 1/2"	3.54	3.43	0.87	1.93	0.55	0.16
3"	3"	4.17	4.00	0.98	2.13	0.59	0.16
4"	4"	6.24	4.25	0.98	2.56	0.59	0.16



FITTINGS CAST CLASS 150

90° STREET ELBOWS THREADED



DESIGN FEATURES:

- THREAD: NPT
- CF8 (304) & CF8M (316)

DIMENSIONS

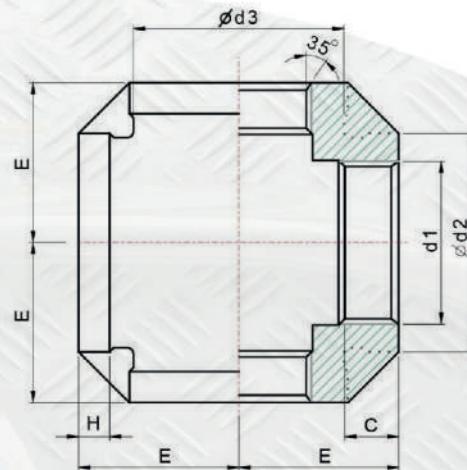
unit : inch

SIZE	d1	d2	d3	C	E	H	D1	D2	D3	C1	E1	I
1/8"	1/8"	0.59	0.47	0.28	0.71	0.20	1/8"	0.20	0.35	0.31	1.02	0.08
1/4"	1/4"	0.71	0.59	0.41	0.87	0.20	1/4"	0.24	0.47	0.43	1.22	0.08
3/8"	3/8"	0.89	0.79	0.41	0.87	0.24	3/8"	0.35	0.55	0.43	1.54	0.08
1/2"	1/2"	1.10	1.02	0.39	1.06	0.31	1/2"	0.55	0.75	0.51	1.61	0.08
3/4"	3/4"	1.42	1.30	0.47	1.30	0.35	3/4"	0.79	0.98	0.51	1.85	0.08
1"	1"	1.77	1.65	0.55	1.46	0.35	1"	0.98	1.22	0.73	2.09	0.08
1 1/4"	1 1/4"	2.05	1.97	0.67	1.73	0.43	1 1/4"	1.30	1.56	0.75	2.48	0.10
1 1/2"	1 1/2"	2.36	2.24	0.67	1.85	0.43	1 1/2"	1.57	1.83	0.75	2.72	0.10
2"	2"	2.87	2.72	0.71	2.32	0.51	2"	1.97	2.24	0.85	3.15	0.10
2 1/2"	2 1/2"	3.54	3.39	0.91	2.60	0.59	2 1/2"	2.24	2.60	0.94	4.13	0.16
3"	3"	4.17	3.98	0.94	3.09	0.65	3"	2.91	3.19	1.14	4.45	0.16
4"	4"	5.14	5.04	1.02	3.86	0.77	4"	3.82	4.17	1.34	5.12	0.16



FITTINGS CAST CLASS 150

CROSS THREADED



DESIGN FEATURES:

- 🔴 THREAD: NPT
- 🔴 CF8 (304) & CF8M (316)

DIMENSIONS

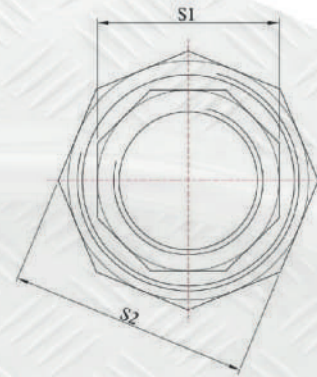
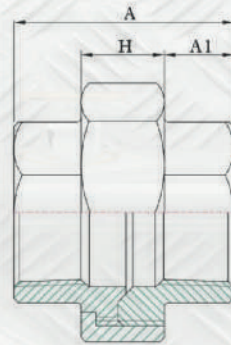
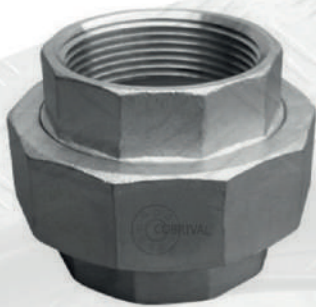
unit : inch

SIZE	d1	d2	d3	C	E	H
1/8"	1/8"	0.63	0.55	0.24	0.69	0.24
1/4"	1/4"	0.79	0.71	0.37	0.75	0.28
3/8"	3/8"	0.98	0.91	0.38	0.91	0.28
1/2"	1/2"	1.18	1.10	0.39	1.14	0.28
3/4"	3/4"	1.42	1.34	0.43	1.28	0.35
1"	1"	1.77	1.65	0.55	1.48	0.39
1 1/4"	1 1/4"	2.09	1.97	0.71	1.73	0.43
1 1/2"	1 1/2"	2.36	2.20	0.71	1.89	0.47
2"	2"	2.87	2.76	0.71	2.32	0.51
2 1/2"	2 1/2"	3.54	3.39	0.87	2.68	0.55
3"	3"	4.17	4.02	0.98	3.07	0.59
4"	4"	5.20	5.04	1.02	3.82	0.63



FITTINGS CAST CLASS 150

UNION THREADED



DESIGN FEATURES:

- THREAD: NPT
- CF8 (304) & CF8M (316)

DIMENSIONS

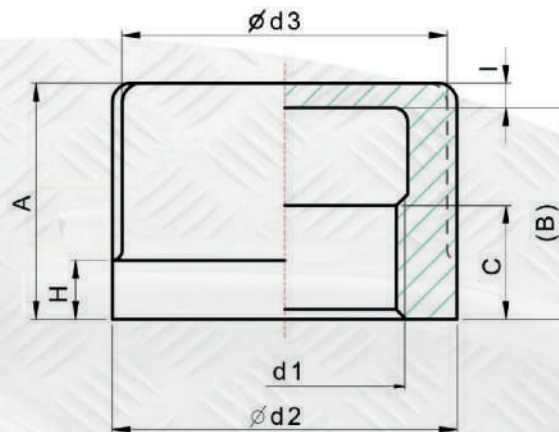
unit : inch

SIZE	A	A1	H	S1	S2
1/8"	1.46	0.47	0.59	0.71	1.14
1/4"	1.46	0.47	0.59	0.71	1.14
3/8"	1.54	0.47	0.63	0.91	1.42
1/2"	1.61	0.51	0.59	1.06	1.61
3/4"	1.65	0.63	0.63	1.26	1.93
1"	2.01	0.67	0.71	1.61	2.28
1-1/4"	2.05	0.63	0.83	1.97	2.68
1-1/2"	2.20	0.71	0.87	2.20	3.03
2"	2.36	0.71	0.98	2.72	3.62
2-1/2"	2.95	1.02	0.98	3.35	4.29
3"	3.50	1.18	1.14	3.90	4.92
4"	3.90	1.26	1.34	4.92	6.14



NIPPLES WELDED & SEAMLESS ASTM A-733

ROUNDED CAPS THREADED



DESIGN FEATURES:

- THREAD: NPT
- CF8 (304) & CF8M (316)

DIMENSIONS

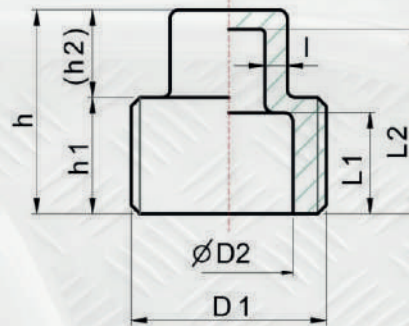
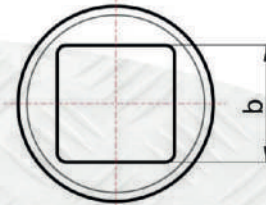
unit : inch

SIZE	d1	d2	d3	A	(B)	C	H	I
1/8"	1/8"	0.63	0.53	0.59	0.47	0.24	0.26	0.12
1/4"	1/4"	0.79	0.71	0.87	0.75	0.37	0.26	0.12
3/8"	3/8"	1.00	0.93	0.96	0.87	0.38	0.30	0.10
1/2"	1/2"	1.18	1.10	1.10	0.98	0.39	0.30	0.12
3/4"	3/4"	1.42	1.30	1.10	0.98	0.39	0.33	0.12
1"	1"	1.75	1.63	1.26	1.14	0.55	0.35	0.12
1 1/4"	1 1/4"	2.09	1.97	1.28	1.12	0.65	0.43	0.16
1 1/2"	1 1/2"	2.36	2.24	1.42	1.22	0.65	0.43	0.20
2"	2"	2.91	2.76	1.54	1.34	0.71	0.47	0.20
2 1/2"	2 1/2"	3.58	3.39	1.69	1.54	0.87	0.55	0.24
3"	3"	4.33	4.09	1.87	1.63	0.91	0.55	0.24
4"	4"	5.47	5.24	2.05	1.77	1.02	0.59	0.24



FITTINGS CAST CLASS 150

SQUARE HEAD PLUG THREADED



DESIGN FEATURES:

- THREAD: NPT
- CF8 (304) & CF8M (316)

DIMENSIONS

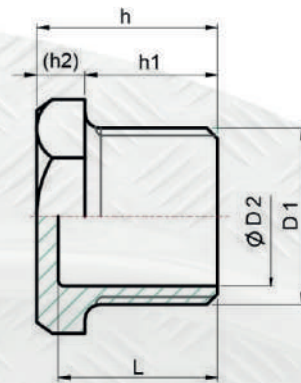
unit : inch

SIZE	b	D1	D2	L1	L2	h	h1	(h2)	l
1/8"	0.28	1/8"	-	-	-	0.71	0.39	0.31	-
1/4"	0.35	1/4"	-	-	-	0.75	0.39	0.35	-
3/8"	0.39	3/8"	-	-	-	0.79	0.43	0.35	-
1/2"	0.51	1/2"	0.57	0.47	0.83	0.91	0.51	0.39	0.10
3/4"	0.71	3/4"	0.71	0.57	1.02	1.18	0.71	0.47	0.10
1"	0.75	1"	0.98	0.71	1.22	1.30	0.83	0.47	0.10
1 1/4"	0.91	1 1/4"	1.34	0.75	1.42	1.54	0.91	0.63	0.10
1 1/2"	1.02	1 1/2"	1.54	0.83	1.42	1.57	0.91	0.67	0.10
2"	1.14	2"	1.97	0.91	1.65	1.77	1.02	0.75	0.10
2 1/2"	1.57	2 1/2"	2.36	0.94	1.61	1.89	1.10	0.79	0.12
3"	1.73	3"	2.95	1.06	1.97	2.13	1.26	0.87	0.12
4"	2.32	4"	3.98	1.22	2.17	2.32	1.46	0.87	0.12



FITTINGS CAST CLASS 150

HEX HEAD PLUG READED



DESIGN FEATURES:

- THREAD: NPT
- CF8 (304) & CF8M (316)

DIMENSIONS

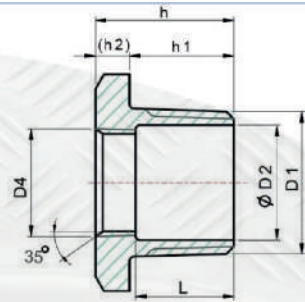
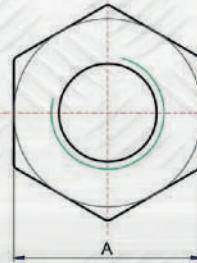
unit : inch

SIZE	D 1	D 2	L	A	h	h 1	(h 2)
1/8"	1/8"	—	—	0.55	0.71	0.43	0.24
1/4"	1/4"	—	—	0.67	0.91	0.67	0.24
3/8"	3/8"	0.35	0.81	0.83	0.93	0.67	0.26
1/2"	1/2"	0.57	0.98	1.02	1.10	0.79	0.31
3/4"	3/4"	0.71	0.98	1.26	1.10	0.79	0.31
1"	1"	1.02	1.18	1.50	1.34	0.98	0.35
1 1/4"	1 1/4"	1.34	1.22	1.81	1.38	0.98	0.39
1 1/2"	1 1/2"	1.52	1.30	2.05	1.42	0.98	0.43
2"	2"	1.97	1.34	2.56	1.48	1.02	0.45
2 1/2"	2 1/2"	2.36	1.38	3.15	1.57	1.10	0.47
3"	3"	2.95	1.54	3.74	1.77	1.26	0.51
4"	4"	3.94	1.77	4.72	2.01	1.46	0.55



FITTINGS CAST CLASS 150

HEX BRUSHING THREADED



DESIGN FEATURES:

- THREAD: NPT
- CF8 (304) & CF8M (316)

DIMENSIONS

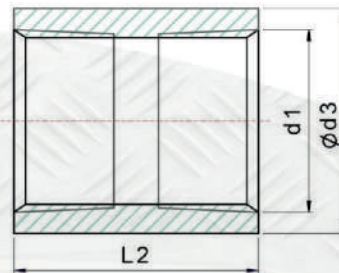
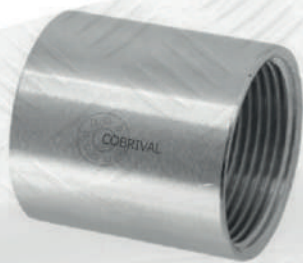
unit : inch

SIZE	A	L	D1	D2	D4	h	h1	(h2)
1/4"x1/8"	0.67	0.59	1/4"	0.33	1/8"	0.89	0.67	0.22
3/8"x1/8"	0.87	0.59	3/8"	0.43	1/8"	0.91	0.67	0.24
3/8"x1/4"	0.87	-	3/8"	0.43	1/4"	0.91	0.67	0.24
1/2"x1/8"	1.02	0.67	1/2"	0.57	1/8"	1.00	0.79	0.22
1/2"x1/4"	1.02	0.67	1/2"	0.57	1/4"	1.00	0.79	0.22
1/2"x3/8"	1.02	-	1/2"	0.57	3/8"	1.00	0.79	0.22
3/4"x1/8"	1.26	0.69	3/4"	0.71	1/8"	1.04	0.79	0.26
3/4"x1/4"	1.26	0.69	3/4"	0.71	1/4"	1.04	0.79	0.26
3/4"x3/8"	1.26	0.69	3/4"	0.71	3/8"	1.04	0.79	0.26
3/4"x1/2"	1.26	-	3/4"	0.71	1/2"	1.04	0.79	0.26
1"x1/8"	1.50	0.96	1"	1.02	1/8"	1.32	1.00	0.31
1"x1/4"	1.50	0.96	1"	1.02	1/4"	1.32	1.00	0.31
1"x3/8"	1.50	0.96	1"	1.02	3/8"	1.32	1.00	0.31
1"x1/2"	1.50	0.87	1"	1.02	1/2"	1.32	1.00	0.31
1"x3/4"	1.50	0.81	1"	1.02	3/4"	1.32	1.00	0.31
1 1/4"x1/8"	1.81	1.02	1 1/4"	13.8	1/8"	1.34	1.02	0.31
1 1/4"x1/4"	1.81	0.96	1 1/4"	13.8	1/4"	1.34	1.02	0.31
1 1/4"x3/8"	1.81	0.96	1 1/4"	13.8	3/8"	1.34	1.02	0.31
1 1/4"x1/2"	1.81	0.91	1 1/4"	13.8	1/2"	1.34	1.02	0.31
1 1/4"x3/4"	1.81	0.83	1 1/4"	13.8	3/4"	1.34	1.02	0.31
1 1/4"x1"	1.81	0.77	1 1/4"	13.8	1"	1.34	1.02	0.31

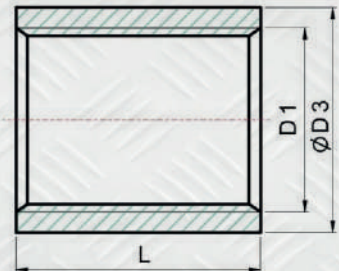


FITTINGS CAST CLASS 150

COUPLING THREADED



BSPT,NPT



BSP,DIN 2999

DESIGN FEATURES:

- 🔴 THREAD: NPT
- 🔴 CF8 (304) & CF8M (316)
- 🔴 MADE FROM STAINLESS STEEL WELDED PIPE

DIMENSIONS

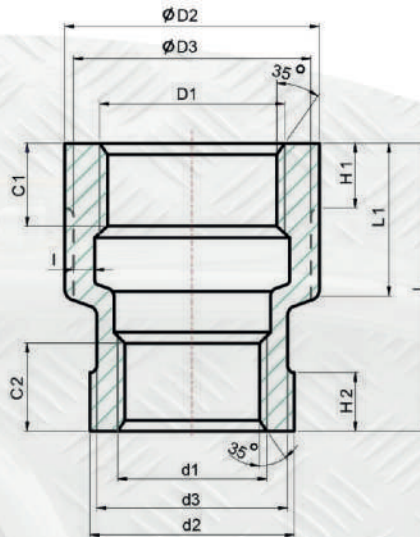
unit : inch

SIZE	d1	BSPT,NPT		D1	BSP,DIN2999	
		d3	L2		D3	L
1/8"	1/8"	0.55	0.79	1/8"	0.55	0.79
1/4"	1/4"	0.73	1.06	1/4"	0.73	0.98
3/8"	3/8"	0.85	1.10	3/8"	0.85	1.02
1/2"	1/2"	1.04	1.42	1/2"	1.04	1.34
3/4"	3/4"	1.26	1.54	3/4"	1.26	1.42
1"	1"	1.56	1.69	1"	1.56	1.69
1 1/4"	1 1/4"	1.91	1.89	1 1/4"	1.91	1.89
1 1/2"	1 1/2"	2.15	1.89	1 1/2"	2.15	1.89
2"	2"	2.62	2.20	2"	2.62	2.20
2 1/2"	2 1/2"	3.31	2.56	2 1/2"	3.31	2.56
3"	3"	3.94	2.80	3"	3.74	2.80
4"	4"	5.08	3.27	4"	4.80	3.27
5"	5"	6.36	3.54	-	-	-
6"	6"	7.28	3.96	-	-	-



FITTINGS CAST CLASS 150

REDUCING COUPLING THREADED



DESIGN FEATURES:

- THREAD: NPT
- CF8 (304) & CF8M (316).

DIMENSIONS

unit : inch

SIZE	D1	D2	D3	C1	H1	d1	d2	d3	C2	H2	L1	L	I
1/4"x1/8"	1/4"	0.79	0.71	0.31	0.24	1/8"	0.63	0.55	0.43	0.28	0.63	1.12	0.12
3/8"x1/8"	3/8"	1.00	0.91	0.37	0.28	1/8"	0.63	0.55	0.47	0.24	0.91	1.61	0.12
3/8"x1/4"	3/8"	1.00	0.91	0.38	0.28	1/4"	0.79	0.71	0.51	0.24	0.91	1.61	0.12
1/2"x1/8"	1/2"	1.18	1.10	0.39	0.31	1/8"	0.63	0.55	0.35	0.28	0.94	1.77	0.10
1/2"x1/4"	1/2"	1.18	1.10	0.39	0.31	1/4"	0.79	0.71	0.49	0.28	0.94	1.77	0.10
1/2"x3/8"	1/2"	1.18	1.10	0.39	0.31	3/8"	1.00	0.91	0.39	0.31	0.94	1.77	0.10
3/4"x1/8"	3/4"	1.42	1.30	0.39	0.35	1/8"	0.63	0.55	0.43	0.31	0.87	1.77	0.12
3/4"x1/4"	3/4"	1.42	1.30	0.39	0.35	1/4"	0.79	0.71	0.43	0.31	1.02	1.77	0.12
3/4"x3/8"	3/4"	1.42	1.30	0.39	0.35	3/8"	1.00	0.91	0.59	0.31	0.98	1.77	0.12
3/4"x1/2"	3/4"	1.42	1.30	0.39	0.35	1/2"	1.18	1.10	0.59	0.31	0.98	1.77	0.12
1"x1/8"	1"	1.77	1.65	0.55	0.35	1/8"	0.63	0.55	0.47	0.31	1.02	1.97	0.12
1"x1/4"	1"	1.77	1.65	0.55	0.43	1/4"	0.79	0.71	0.47	0.31	1.10	1.97	0.12
1"x3/8"	1"	1.77	1.65	0.55	0.43	3/8"	1.00	0.91	0.51	0.31	1.10	1.97	0.12
1"x1/2"	1"	1.77	1.65	0.55	0.43	1/2"	1.18	1.10	0.51	0.35	1.14	1.97	0.12
1"x3/4"	1"	1.77	1.65	0.55	0.43	3/4"	1.42	1.30	0.55	0.43	1.10	1.97	0.12
1 1/4"x1/4"	1 1/4"	2.09	1.97	0.71	0.43	1/4"	0.79	0.71	0.59	0.24	1.14	1.97	0.14
1 1/4"x3/8"	1 1/4"	2.09	1.97	0.71	0.43	3/8"	1.00	0.91	0.47	0.31	1.14	1.97	0.14
1 1/4"x1/2"	1 1/4"	2.09	1.97	0.63	0.43	1/2"	1.18	1.10	0.51	0.39	1.18	1.97	0.14
1 1/4"x3/4"	1 1/4"	2.09	1.97	0.63	0.47	3/4"	1.42	1.30	0.51	0.39	1.18	1.97	0.14
1 1/4"x1"	1 1/4"	2.09	1.97	0.63	0.47	1"	1.77	1.61	0.71	0.43	1.18	1.97	0.14